



# HINO LAOTHANI | ຮີໂນ່ ລາວທານີ

## HINO 700 SERIES : SS1EKVA (72845)

**LAOTHANI**  
HEAVY EQUIPMENT & TRUCK

<b>MODEL / ລຸ້ນລົດ</b>	SS1EKVA-PSW (6x4, LHD)	
<b>SPEC NO.</b>	SA-SS323A	
<b>DRWG NO.</b>	CDRSS339A	

<b>DIMENSIONS / ຂະໜາດ</b>		
<b>Overall Length / ຄວາມຍາວລວມ (mm)</b>	APPROX.	7,030
<b>Overall Width / ຄວາມກວ້າງລວມ (mm)</b>	APPROX.	2,490
<b>Overall Height / ຄວາມສູງລວມ (mm)</b>	APPROX.	3,345
<b>Wheelbase / ຖານລີ້ (mm)</b>	3,300 +1,310	

<b>MASS / ນ້ຳໜັກ</b>		
<b>Chassis Mass, Total / ນ້ຳໜັກລວມ (kg)</b>	APPROX.	9,130
<b>Chassis Mass, Front / ນ້ຳໜັກດ້ານໜ້າ (kg)</b>	APPROX.	4,800
<b>Chassis Mass, Rear / ນ້ຳໜັກດ້ານຫຼັງ (kg)</b>	APPROX.	4,330

<b>PERFORMANCE / ປະສິດທິພາບຂອງລົດ (at G.V.M. Rating)</b>		
<b>Max. Speed / ຄວາມໄວສູງສຸດ (km/h)</b>	96	
<b>Gradeability tan <math>\theta</math> (%)</b>	46.3	

<b>CAPACITY / ການບັນທຸກ</b>		
<b>Permissible Axle Capacity / ຮັບນ້ຳໜັກເປົາ (kg)</b>	<b>FRONT</b>	<b>REAR</b>
	7,500	21,800
<b>Tire Capacity / ຮັບນ້ຳໜັກຍາງ (kg)</b>	6,700	24,000
<b>G.V.M. Rating / ຮັບນ້ຳໜັກລວມ (kg)</b>	60,000	

<b>ENGINE / ຈັກ</b>	HINO E13C TR (Euro-3)	
	Diesel, turbo charged intercooled, 4-cy., vertical, 6-cyl. in-line, overhead camshaft, water-cooled, direct injection type.	

<b>Max. Output / ແຮງມ້າສູງສຸດ</b>	331 kW {450PS} at 1,800 r/min	
<b>Max. Torque / ແຮງບິດສູງສຸດ</b>	1,912 N·m {195kgf · m} at 1,100 r/min	
<b>Max. Engine Speed / ຮອບຈັກສູງສຸດ</b>	2,150 r/min	

<b>CLUTCH / ຄູາດ</b>	Dry, twin plate, with damper springs, hydraulice control
----------------------	--

<b>TRANSMISSION / ເກຍ</b>	16-speed, overdrive, synchromesh 1st-16th Gear ratio 1st 13.804 : 1 - 16th 0.835 : 1
---------------------------	---

<b>REAR AXLE / ເປົາຫຼັງ</b>	Tandem axle, dual drive with inter axle differential Full-floating, single reduction, single-speed by hypoid gearings Gear ratio 5.285 : 1
-----------------------------	--

<b>FRONT AXLE / ເປົາໜ້າ</b>	Reversed Elliot, "I" section beam
-----------------------------	-----------------------------------

<b>SERVICE BRAKE / ລະບົບເບຸກ</b>	Full air, dual circuit, "S" cam type, leading & trailing shoes for front & rear with Anti lock brake system
----------------------------------	---

<b>PARKING BRAKE / ເບຸກຫຍຸດ</b>	Spring brake acting on front & rear frontward wheels, for emergency & parking purpose
---------------------------------	---

<b>STEERING / ລະບົບລ້ຽວ</b>	Recirculating ball with hydraulic booster
-----------------------------	---

<b>SUSPENSIONS/ລະບົບຊ່ວງລ່າງ</b>	Front: Semi-elliptic tapered leaf springs with absorbers stabilizer; Rear: Semi-elliptic tapered leaf springs with torque rods and shock absorbers
----------------------------------	---

<b>WHEELS AND TIRES / ລີ້ແລະຢາງ</b>	Wheels 10-stud disc wheels (ISO type) Tires 11.00R20-16PR, 11-number (Including one spare tire)
-------------------------------------	--

<b>FUEL TANK / ຖັງນ້ຳມັນ</b>	400 L
------------------------------	-------

<b>CHASSIS FRAME / ໂຄງລົດ</b>	Ladder-shaped, channel section side rails
-------------------------------	---

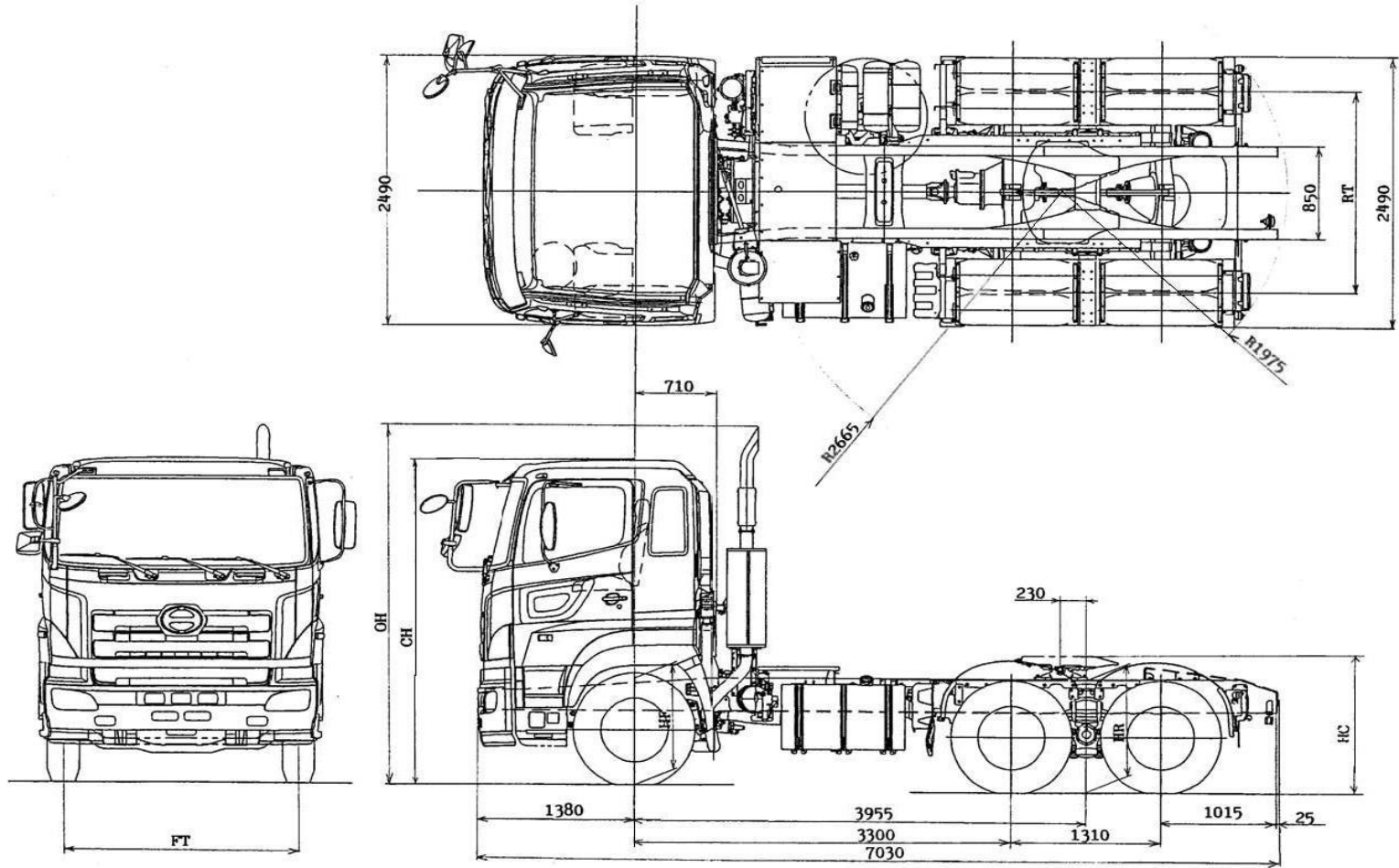
<b>CAB / ຫົວເກັ່ງ</b>	Forward control, all steel welded construction with full floating cab suspension (front:air, rear:coil)
-----------------------	---

<b>AIR CLEANER / ກອງອາກາດ</b>	Dual paper element
-------------------------------	--------------------

<b>ELECTRICAL / ລະບົບໄຟຟ້າ</b>	Batteries 12 V × 2, series-connection 432 kC {120 A·h} at 20-hour rate Alternator 24 V - 60 A
--------------------------------	---

DIMENSION:

No.	TIRE SIZE	DISC SIZE	DIMENSION(mm)								
			OH	CH	HF	HR	HC	FT	RT	RW	
1	11.00R20	20X7.50V-165	3345	3030	1025	1090	1445	2050	1855	2475	
2	12R22.5	22.5X8.25-165	3345	3030	1025	1090	1445	2050	1855	2485	
3	295/80R22.5		3325	3010	1005	1070	1425	2050	1855	2485	



MODEL

**HINO SS1EKVA CHASSIS**

DRAWING No.

**CDRSS339A**