



# HINO LAOTHANI | ຮີໂນ່ ລາວທານີ

## HINO 300 SERIES : WU710L (3713)

**LAOTHANI**  
HEAVY EQUIPMENT & TRUCK

MODEL / ລຸ້ນລົດ	WU710L-HKFQL3 (4x2, LHD)
SPEC NO.	SA-WU535A
DRWG NO.	CDRWU432 F

### DIMENSIONS / ຂະໜາດ

Overall Length / ຄວາມຍາວລວມ (mm)	APPROX.	6,120
Overall Width / ຄວາມກວ້າງລວມ (mm)	APPROX.	1,995
Overall Height / ຄວາມສູງລວມ (mm)	APPROX.	2,235
Wheelbase / ຖານລີ້ (mm)		3,430

### MASS / ນ້ຳໜັກ

Chassis Mass, Total / ນ້ຳໜັກລວມ (kg)	APPROX.	2,465
Chassis Mass, Front / ນ້ຳໜັກດ້ານໜ້າ (kg)	APPROX.	1,605
Chassis Mass, Rear / ນ້ຳໜັກດ້ານຫຼັງ (kg)	APPROX.	860

### PERFORMANCE / ປະສິດທິພາບຂອງລົດ (at G.V.M. Rating)

Max. Speed / ຄວາມໄວສູງສຸດ (km/h)		109
Gradeability tan $\theta$ (%)		50.9

### CAPACITY / ການບັນທຸກ

	FRONT	REAR
Permissible Axle Capacity / ຮັບນ້ຳໜັກເຟົາ (kg)	3,100	5,100
Tire Capacity / ຮັບນ້ຳໜັກຍາງ (kg)	2,660	5,060
G.V.M. Rating / ຮັບນ້ຳໜັກລວມ (kg)	6,500	

### ENGINE / ຈັກ

HINO W04D-TN

Diesel, turbo charged intercooled 4-cy., vertical, 4-cyl. in-line, overhead valve, water-cooled, direct injection type.

Max. Output / ແຮງມ້າສູງສຸດ	86 kW {118 PS} at 2,500 rpm
Max. Torque / ແຮງບິດສູງສຸດ	353 N·m {36.0 kgf·m} at 1,800 rpm
Max. Engine Speed / ຮອບຈັກສູງສຸດ	3,300 rpm

### CLUTCH / ຄູາດ

Dry, single plate, with damper springs, hydraulic control

### TRANSMISSION / ເກຍ

MYY6S, 6-speed, overdrive, synchromesh 1st - 6th  
Gear ratio 1st 5.979 : 1 - 6th 0.759 : 1

### REAR AXLE / ເຟົາຫຼັງ

Full-floating, single reduction, single-speed  
by hypoid gears  
Gear ratio 5.833 : 1

### FRONT AXLE / ເຟົາໜ້າ

Reversed Elliot, "I" section beam

### SERVICE BRAKE/ລະບົບເບຼກ

Vacuum assist, dual circuit / hydraulic system  
with two leading shoes for front and rear wheels

### PARKING BRAKE / ເບຼກຫຍຸດ

Internal expanding, acting on transmission  
output shaft

### STEERING / ລະບົບລ້ຽວ

Recirculating ball with hydraulic booster

### SUSPENSIONS/ລະບົບຊ່ວງລ່າງ

Front: Semi-elliptic leaf springs with shock absorbers; Rear: Semi-elliptic main & auxiliary leaf springs with shock absorbers

### WHEELS AND TIRES / ລີ້ແລະຍາງ

Wheels 6-stud disc wheels  
Tires 7.50R16-10, 7-number (Including one spare tire)

### FUEL TANK / ຖັງນ້ຳມັນ

100 L

### CHASSIS FRAME / ໂຄງລົດ

Ladder-shaped, channel section side rails

### CAB / ຫົວເກັ່ງ

Forward control, all steel welded construction

### AIR CLEANER / ກອງອາກາດ

Paper element, stack type air intake

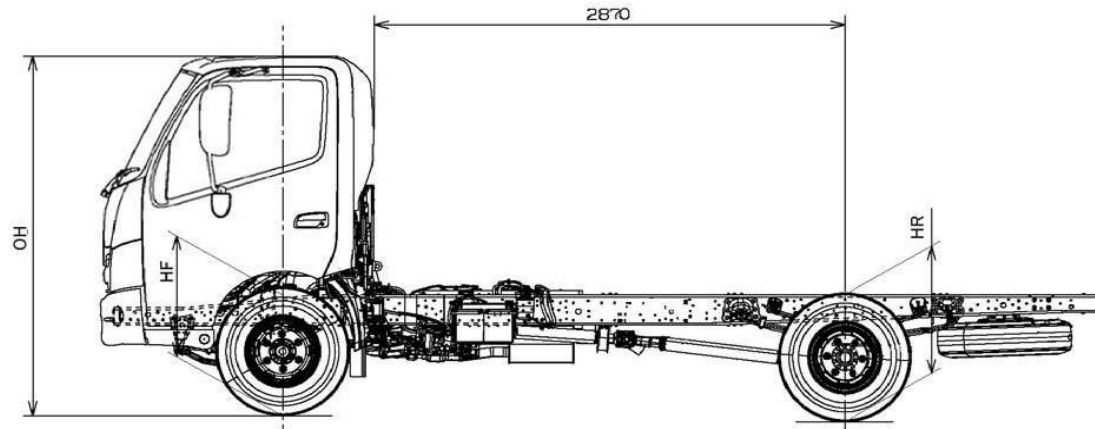
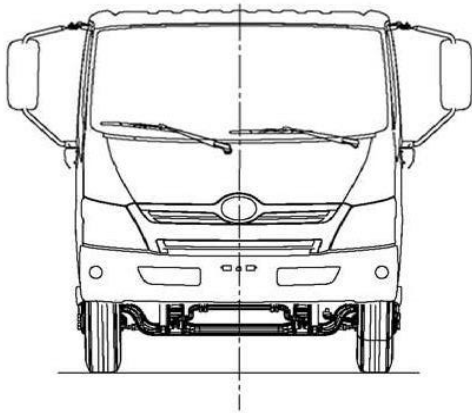
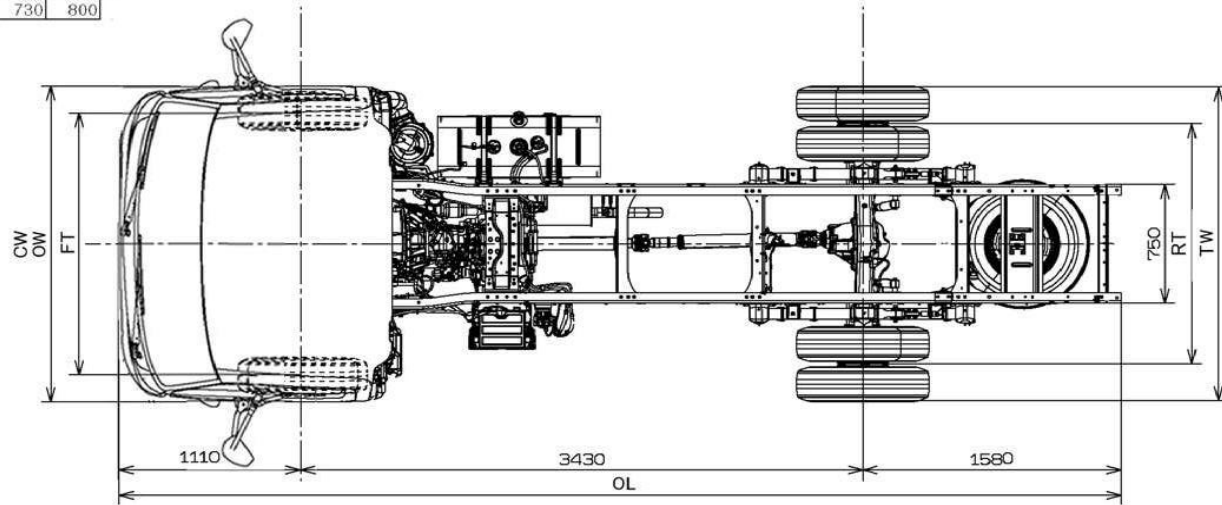
### ELECTRICAL / ລະບົບໄຟຟ້າ

Batteries: 12 V × 2, series-connection,  
60 A·h {216 kC} at 20-hour rate  
Alternator: 24 V - 30 A

**DIMENSION:**

TIRE SIZE		OL	OW	CW	TW	OH	FT	RT	HF	HR
FR	RR	(*)								
7.50R16-10	7.50R16-10	6120	1995	1995	1985	<b>2235</b>	1655	1520	730	800

(\*) NOTE : Figures marked "\*" dimensions are measured in parallel with the surface of the ground.



MODEL:WU710L-HKFQL3

DRAWING No.: **CDRWU432F**