



HINO LAOTHANI | ຮີໂນ່ ລາວທານີ

HINO 300 SERIES : WU600L (3511)

LAOTHANI
HEAVY EQUIPMENT & TRUCK

MODEL / ລຸ້ນລົດ	WU600L-HKMLJ3 (4x2, LHD)
SPEC NO.	SA-WU502A
DRWG NO.	CDRWU433B

DIMENSIONS / ຂະໜາດ	
Overall Length / ຄວາມຍາວລວມ (mm)	APPROX. 4,670
Overall Width / ຄວາມກວ້າງລວມ (mm)	APPROX. 1,695
Overall Height / ຄວາມສູງລວມ (mm)	APPROX. 2,135
Wheelbase / ຖານລີ້ (mm)	2,525

MASS / ນ້ຳໜັກ	
Chassis Mass, Total / ນ້ຳໜັກລວມ (kg)	APPROX. 1,945
Chassis Mass, Front / ນ້ຳໜັກດ້ານໜ້າ (kg)	APPROX. 1,325
Chassis Mass, Rear / ນ້ຳໜັກດ້ານຫຼັງ (kg)	APPROX. 620

PERFORMANCE / ປະສິດທິພາບຂອງລົດ (at G.V.M. Rating)	
Max. Speed / ຄວາມໄວສູງສຸດ (km/h)	108
Gradeability tan θ (%)	41.1

CAPACITY / ການບັນທຸກ	FRONT	REAR
Permissible Axle Capacity / ຮັບນ້ຳໜັກເປົາ (kg)	2,600	4,400
Tire Capacity / ຮັບນ້ຳໜັກຍາງ (kg)	2,260	2,460
G.V.M. Rating / ຮັບນ້ຳໜັກລວມ (kg)	4,500	

ENGINE / ຈັກ	HINO W04D-J
	Diesel, 4-cy., vertical, 4-cyl. in-line, overhead valve, water-cooled, direct injection type.
Max. Output / ແຮງມ້າສູງສຸດ	73 kW {99 PS} at 3,200 rpm
Max. Torque / ແຮງບິດສູງສຸດ	252 N·m {25.7 Kg·m} at 2,000 rpm
Max. Engine Speed / ຮອບຈັກສູງສຸດ	3,400 rpm

CLUTCH / ຄູາດ	Dry, single plate, with damper springs, hydraulic control
TRANSMISSION / ເກຍ	M153, 5-speed, overdrive, synchromesh 1st - 5th Gear ratio 1st 5.339 : 1 - 6th 0.788 : 1

REAR AXLE / ເຟົາຫຼັງ	Full-floating, single reduction, single-speed by hypoid gears Gear ratio 5.125
-----------------------------	--

FRONT AXLE / ເຟົາໜ້າ	Reversed Elliot, "I" section beam
-----------------------------	-----------------------------------

SERVICE BRAKE/ລະບົບເບຼກ	Vacuum assist, dual circuit / hydraulic system with two leading shoes for front wheels and dual two leading shoes for rear wheels
--------------------------------	---

PARKING BRAKE / ເບຼກຫຍຸດ	Internal expanding, acting on transmission output shaft
---------------------------------	---

STEERING / ລະບົບລ້ຽວ	Recirculating ball with hydraulic booster
-----------------------------	---

SUSPENSIONS/ລະບົບຊ່ວງລ່າງ	Front: Semi-elliptic tapered leaf springs with shock absorbers and stabilizer; Rear: Semi-elliptic main & auxiliary leaf springs
----------------------------------	--

WHEELS AND TIRES / ລີ້ແລະຢາງ	Wheels: 5-stud disc wheels Tires Front: 7.00R16-10, Rear: 7.00R16-12; 5-number (Including one spare tire)
-------------------------------------	--

FUEL TANK / ຖັງນ້ຳມັນ	100 L
------------------------------	-------

CHASSIS FRAME / ໂຄງລົດ	Ladder-shaped, channel section side rails
-------------------------------	---

CAB / ຫົວເກັ່ງ	Forward control, all steel welded construction
-----------------------	--

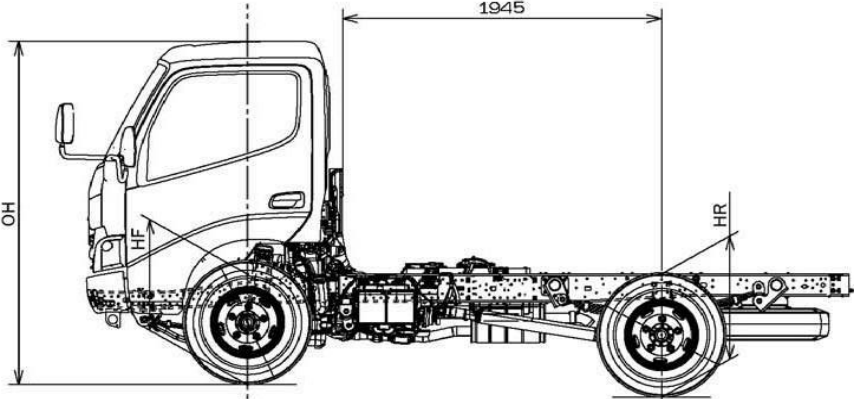
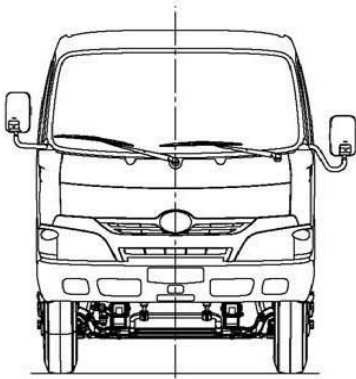
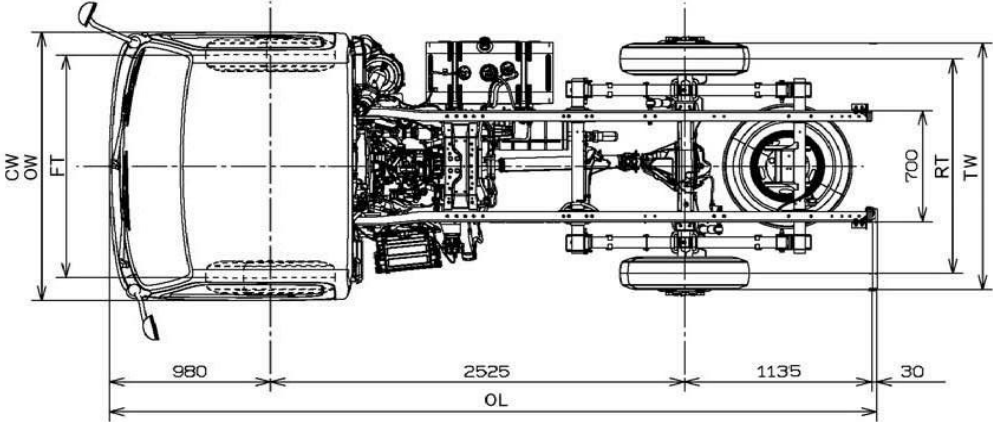
AIR CLEANER / ກອງອາກາດ	Paper element, stack type air intake
-------------------------------	--------------------------------------

ELECTRICAL / ລະບົບໄຟຟ້າ	Batteries: 12 V × 2, series-connection, 60 A·h {216 kC} at 20-hour rate Alternator: 24 V - 30 A
--------------------------------	--

DIMENSION:

TIRE SIZE		OL	OW	CW	TW	OH	FT	RT	HF	HR
FR	RR	(*)								
7.00R16-10	7.00R16-12	4670	1695	1695	1545	2135	1400	1350	660	725

(*) NOTE : Figures marked "*" dimensions are measured in parallel with the surface of the ground.



MODEL:WU600L-HKMLJ3

DRAWING No.: CDRWU433B